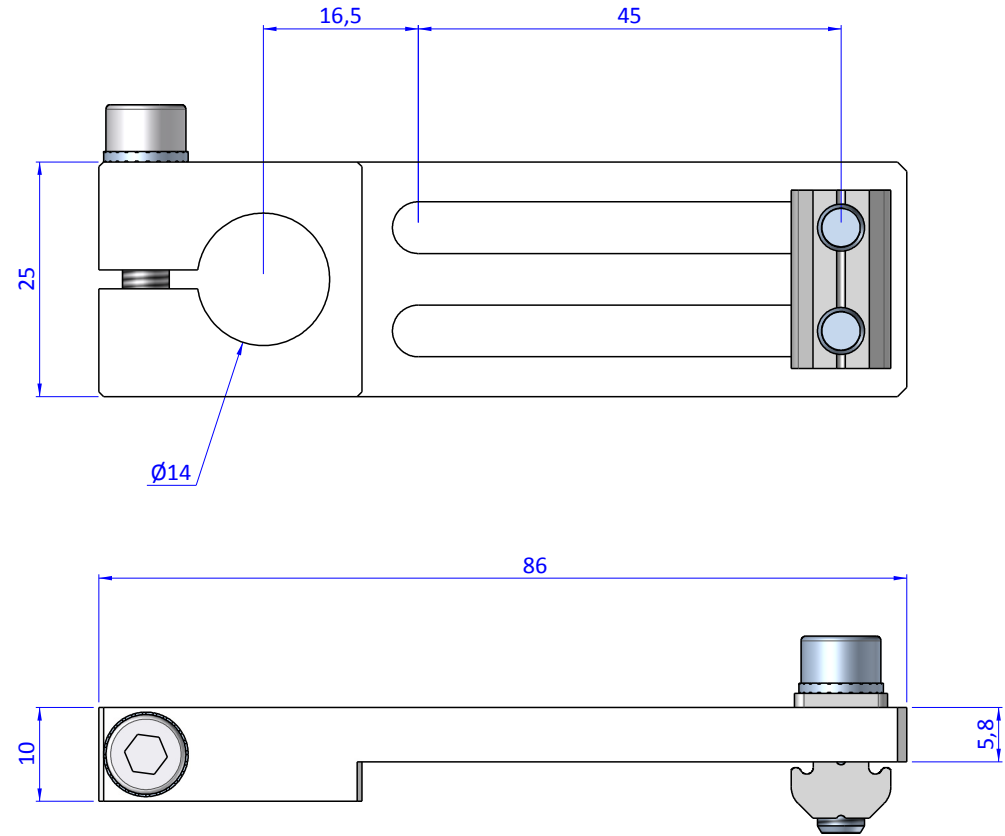
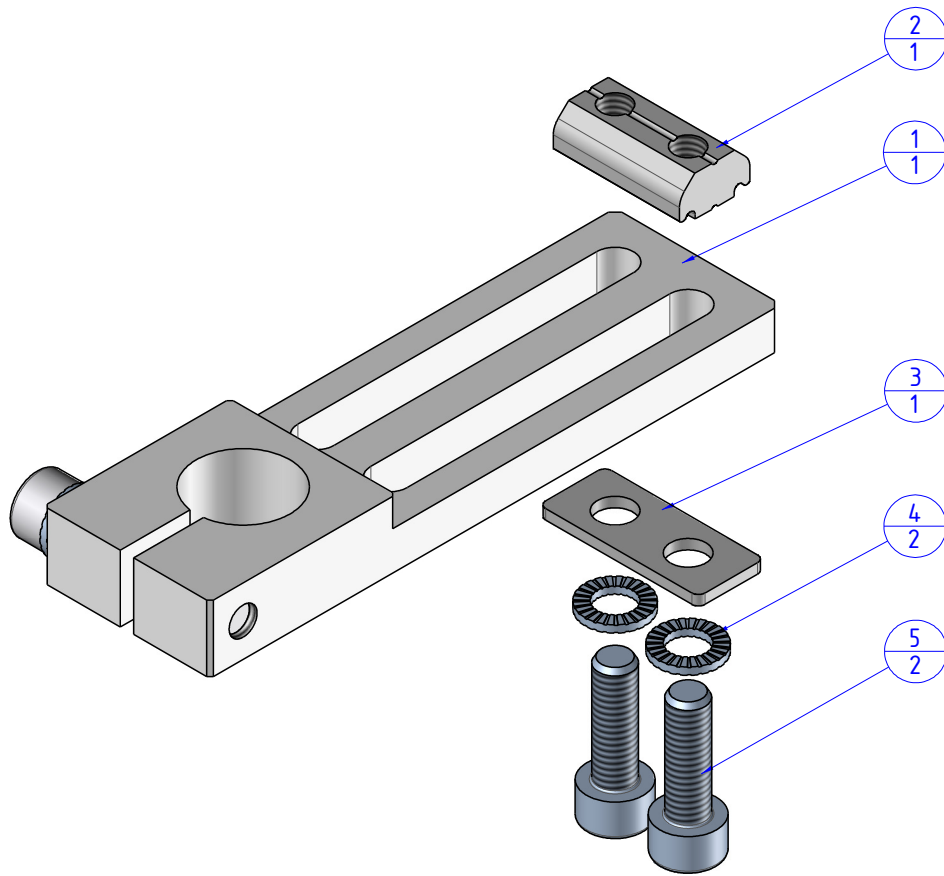


THE PROPERTY OF THE DRAWING IS ESTABLISHED BY LAW. IT IS FORBIDDEN TO PRODUCE OR SHOW IT TO THIRD PARTY, WITHOUT A WRITTEN AGREEMENT.

Item	Name	Q. ty
1	CA.04.02.14	1
2	CA.GWP.5.11	1
3	R.05.11	1
4	R.5.SCH	2
5	VTCE5x16	2



Format A3

UNI 936-76

		DESIGNED FROM	REVIEW
		FP SERVICES	A
		DATE	WEIGHT
		30/04/2016	0,052kg
GENERAL TOLERANCE UNI - ISO 2768 CLASSE f		DESCRIPTION CA.04.02.14.X	
		CODE CA.04.02.14.X	